

 **DRESSTA**

# TD-60M

**CRAWLER DOZER**

**TIER III**

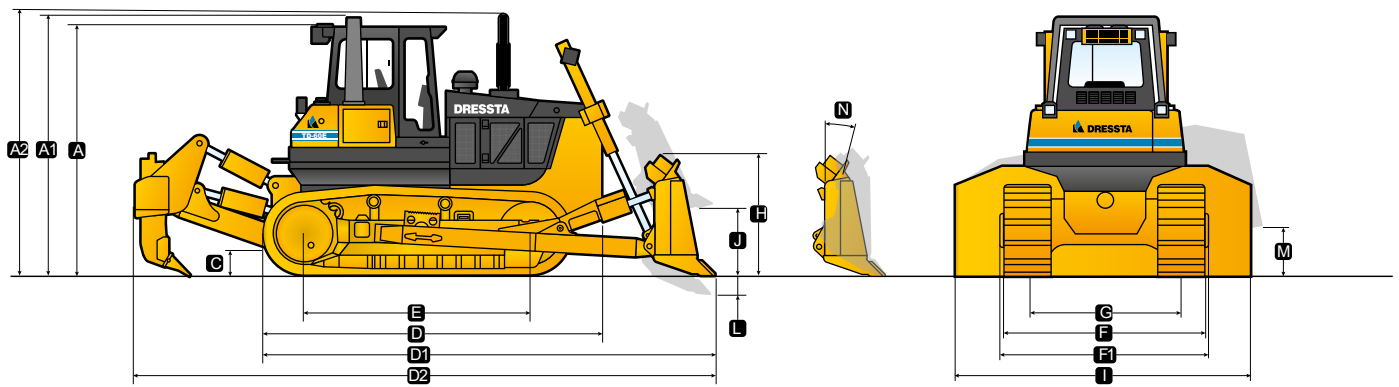
<b>ENGINE:</b>	Cummins QSK19
<b>POWER:</b>	455 kW (610 HP)
<b>OPERATING WEIGHT:</b>	70 800 kg
<b>BLADE CAPACITY:</b>	18.6 - 39.8 m <sup>3</sup> (24.3 - 52 yd <sup>3</sup> )



# SPECIFICATIONS

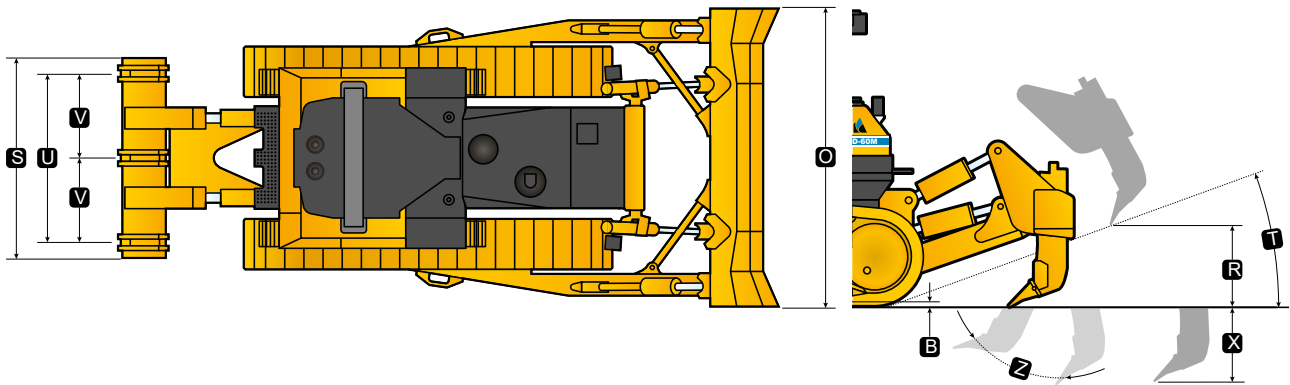
MODEL		TD-60M	
<b>ENGINE</b>			
Make and model	Cummins QSK19		
Emissions Standard	EPA Tier 3/EU Stage IIIA		
Displacement	19 l		
Bore and stroke	159 x 159 mm		
Gross Horsepower, SAE J1995	455 kW (610 HP)		
Net Horesepower, SAE J1349/ISO 9249	418 kW (560 HP)		
Rated rpm	2 000		
Max. Torque	2 696 Nm		
Air Cleaner	2-stage, dry type , with dash mounted electronic service indicator		
Cold-Starting Aid	intake- mounted air -inlet grid hater		
Slope Operation, Max. angle	45 deg		
<b>COOLING</b>			
Type	Suction- type variable-speed fan, hydraulically driven with perforated engine side sheets and heavy duty louvered front grill		
Engine Cooling Rating	-37 deg C (-34 deg F)		
<b>POWERTRAIN</b>			
Transmission	Single stage 450 mm (17.5 in) torque converter with a 2.3:1 stall ratio drives to transmission through a double universal joint. Modular, countershaft type power shift transmission, electro-hydraulic control. Preset travel speed and auto-downshift		
Steering	Exclusive 2-speed geared steering module provides gradual turns while maintaining full power to both tracks plus conventional clutch-brake performance for tight or pivot turns. Coupled to 3-speed transmission, the 2-speed steering provides 6 speeds forward and 6 reverse. The left hand joystick controls transmission and steering drive for up and down shifting, steering, Hi/Lo selection and LH/RH gradual turn.		
Final drives	Double-reduction planetary type final drives mounted independently of track frames and dozer push arms for isolation from shock loads		
Total ratio	28.1 to 1		
<b>TRAVEL SPEEDS</b>			
Gear	Range	Forward	Reverse
		km/h (mph)	km/h (mph)
1 st	Low	3.2 (2.0)	4.1 (2.5)
	High	4.1 (2.5)	5.2 (3.2)
2 nd	Low	5.2 (3.2)	6.5 (4.0)
	High	6.7 (4.2)	8.4 (5.2)
3 rd	Low	9.4 (5.8)	11.7 (7.3)
	High	12.0 (7.5)	14.9 (9.3)
<b>DRAWBAR PULL</b>			
Maximum	1157 kN		

<b>BRAKES</b>	
Service	"Spring applied hydraulically released multi-disc wet brakes. Foot pedal piloted control"
Parking	The steering brakes also act as service and parking brakes. Service brakes are locked automatically when the transmission safety lever is actuated or when the engine is cut off.
<b>HYDRAULICS</b>	
Type	Open-center hydraulic system with fixed-displacement multiple-pump vane type
Pump displacement	135 l/min (82.8 gpm)
System relief pressure	"Blade lift & ripper 24 MPa (2,500 psi); blade tilt 18.4 MPa (2,670 psi)"
Control	single joystick lever
Cylinders, bore and stroke	
Lift	152.4 x 1760 mm (6.0" x 69.3")
Tilt	254 x 175 mm (10" x 6.9")
Tilt/pitch	220 /254 x 175 mm (8.6"/10" x 6.9")
<b>ELECTRICAL</b>	
Voltage	24 V
Number of Batteries	4
Battery Capacity	960 CCA
Alternator Rating	105 A
Lights	8 total; cab mounted (2F& 2R), 2F lift cylinders and 2R fuel tank mounted
<b>OPERATOR STATION</b>	
ROPS (ISO 3471 - 2008) and FOPS (ISO 3449 - 2005)	
<b>SERVICEABILITY</b>	
Refill Capacities	
Fuel Tank	1350 l (396 US gal)
Cooling System	89.5 l (23.6 US gal)
Engine Oil	59.3 l (15.7 US gal)
Transmission System	270 l (71 US gal)
Final drive, each side	85 l (22.5 US gal)
Hydraulic Reservoir	184 l (48.6 US gal)
<b>OPERATING WEIGHTS</b>	
Base Weight with Semi-U blade w/ tilt, single-shank ripper, standard equipment, Cab ROPS/FOPS, full fuel tank, and 79-kg [175 lb.] operator	70 800 kg (156 087 lb)
<b>OPTIONAL COMPONENTS</b>	
Ripper w/3 shank	372 kg (820 lb)
Track Shoes	
660 mm (26 in)	335 kg (740 lb)
762 mm (30 in.)	870 kg (1 918 lb)
800 mm (31.5 in)	920 kg (2 030 lb)



**TD-60M Semi-U Blade and Ripper**

TYPE	TD-60M		
<b>MACHINE DIMENSIONS</b>			
<b>A</b> Overall Height -FOPS Cab	4 150 mm (13 ft 10 in)		
<b>A1</b> Overall Height -ROPS	4 330 mm (13 ft 10 in)		
<b>A2</b> Overall Height -end of exhaust pipe	4 410 mm (14 ft 6 in)		
<b>B</b> Grouser height	93 mm (3.66 in)		
<b>C</b> Ground Clearance	600 mm (23.7 in)		
<b>D</b> Overall Length, base machine	5 750 mm (18 ft 10 in)		
<b>D1</b> Length with Blade	7.64 m (26 ft)		
<b>D2</b> Length with Blade and 1-shank /3-shank Ripper	10.38 m / 9.76 m (34 ft / 32 ft)		
<b>E</b> Track Length on Ground	3 610 mm (11 ft 10 in)		
<b>F</b> Width Over Track	3 110 mm (10 ft 2 in)		
<b>F1</b> Width Over Trunnions	3 730 mm (12 ft 3 in)		
<b>G</b> Track Gauge	2 500 mm (8 ft 2 in)		
<b>BLADE SPECS</b>			
Type	<b>Semi-U (standard)</b>	<b>Full-U (optional)</b>	<b>Coal (optional)</b>
SAE Capacity	18.6 m <sup>3</sup> (24.3 cu yd)	22.8 m <sup>3</sup> (29.8 cu yd)	39.8 m <sup>3</sup> (52 cu yd)
<b>H</b> Blade Height	2 230 mm (7 ft 4 in)	2 260 mm (7 ft 5 in)	2 500 mm (8 ft 2 in)
<b>I</b> Blade Width	4 810 mm (15 ft 9 in)	5 180 mm (17 ft)	6 850 mm (22 ft 6 in)
<b>J</b> Blade Lift Height	1 530 mm (5 ft 0.2 in)	1 530 mm (5 ft 0.2 in)	1 460 mm (4 ft 9.5 in)
<b>K</b> Blade Angle	-	-	-
<b>L</b> Blade Digging Depth	830 mm (32.7 in)	830 mm (32.7 in)	875 mm (34.4 in)
<b>M</b> Maximum Tilt	1 150 mm (45.3 in)	1 250 mm (49.2 in)	1 650 mm (65 in)
<b>N</b> Maximum Blade Pitch Adjustment	10 deg	10 deg	10 deg
<b>O</b> Overall Width with Blade Angled	-	-	-



TD-60M with Semi-U Blade and Ripper

TYPE	TD-60M		
RIPPER			
Type	Parallelogram ripper with hydraulic pitch adjustment		
	Single-shank		Multi-shank (3-shank)
	Standard	Deep	
<b>R</b> Maximum Clearance Under Tip (raised)	1 000 mm (39 in)	720 mm (28 in)	950 mm (37 in)
<b>S</b> Overall Beam Width	1 670 mm (65.7 in)	1 670 mm (65.7 in)	2 880 mm (113.5 in)
<b>T</b> Slope Angle (full raise)	30.8 deg	30.8 deg	30.8 deg
<b>U</b> Ripping Width	-	-	2 380 mm (94 in)
<b>V</b> Spacing Center to Center	-	-	1 190 mm (47 in)
<b>X</b> Maximum Penetration	1 290 mm (51 in)	1 670 mm (66 in)	1 000 mm (39 in)
<b>Z</b> Maximum Pitch Adjustment	25.1 deg	25.1 deg	25.1 deg
Penetration Force	200 kN (44 960 lb)	200 kN (44 960 lb)	205 kN (46 084 lb)
Pryout Force	612 kN (137 578 lb)	612 kN (137 578 lb)	622.5 kN (139 938 lb)
Shank positions (vertical)	4	4	2
Weight of Ripper w/ 1 shank	8 356 kg (18 422 lb)	8 461 kg (18 653 lb)	7 588 kg (16 729 lb)
Weight of Shank	668 kg (1 473 lb)	773 kg (1 704 lb)	570 kg (1 260 lb)



**LiuGong Dressta Machinery Sp. z o.o.  
Centralnego Okręgu Przemysłowego 15, 37-450 Stalowa Wola**

**info@dressta.com  
www.dressta.com**



**Like and Follow us:**



**DR-PB-TD60M-T3-6-11122023-ENG**

The Dressta series of logos herein, including but not limited to word marks, device marks, letter of alphabet marks and combination marks, as the registered trademarks of LiuGong Dressta Machinery Sp. z o.o. are used by LiuGong Dressta Machinery Sp. z o.o. with legal permission, and shall not be used without permission. Specifications and designs are subject to change without notice. Illustrations and pictures may include optional equipment and may not include all standard equipment.

Equipment and options varies by regional availability.